

Features

- Meets requirements of NFPA 72 and 2001
- Colored LEDs indicate system status
- Stainless steel plate mounts to single gang box
- RCDS-1: key removable in both positions
- RCDS-2001: key only removable in enabled position to comply with NFPA 2001
- Compatible with any 24VDC system



Description

The device consists of a stainless steel faceplate, green LED, amber LED, and a switch assembly. It is designed to mount on a standard single gang electrical enclosure.

Application

The RCDS-1 complies with the requirements of NFPA 72 (National Fire Alarm and Signaling Code):

The RCDS-2001 complies with the requirements of NFPA 2001 (Standard on Clean Agent Fire Extinguishing Systems):

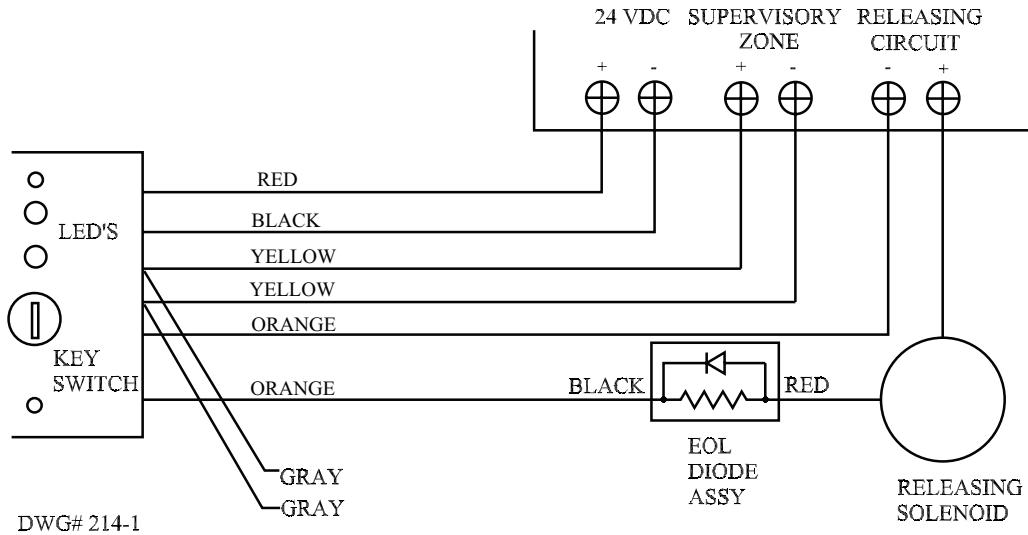
- Specifying a physical switch to disconnect the release circuit in place of a software controlled disconnect.
- Creating a supervisory condition on the associated release panel.

Technical Specifications

| | |
|------------------------------|--|
| Dimensions | 2 3/4" W x 4-1/2" H x 2" D (Approximate) Mounts on single gang or handy box |
| Contact Rating | 1 AMP @ 40 VDC |
| Power Requirements | 24 VDC, 10mA |
| Environmental Specifications | Indoor use only Temperature range -22°F to 140°F (-30°C to 60°C) |

Installation

1. Connect the red and black leads to the 24 VDC auxiliary power terminals on the release panel. Be certain to observe polarity.
2. Connect the yellow wires to the supervisory zone on the panel.



Operation

The green LED indicates the RCDS is in the Normal condition and the release circuit is enabled.

The amber LED indicates that the release circuit is disabled.

Ordering Information

| Model | Description | Stock No. |
|-----------|--|-----------|
| RCDS-1 | Releasing Circuit Disable Switch | 3001002 |
| RCDS-2001 | Releasing Circuit Disable Switch (Clean Agent) | 3001005 |

NOTICE

The connection for the supervisory circuit has 4 wires: 2 yellow and 2 gray. The 2 yellow wires are for connection to the supervisory circuit. The 2 gray wires are for connection to additional supervisory devices or the EOLR for the supervisory zone.