



ISO9001:2000

HOSE VALVE

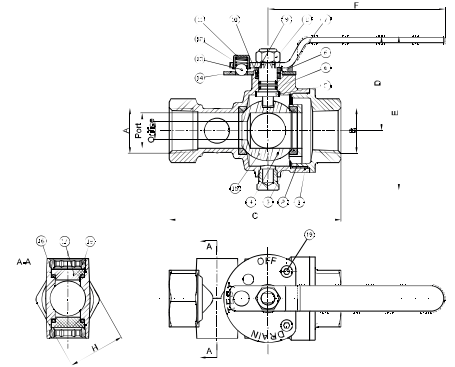
FIRE PROTECTION PRODUCTS



HC-125-STR

Positive positioning of handle for OFF, TEST, or DRAIN

- Only 2 threaded connections
- Large, integral sight glass on both sides
- 1/2" (nominal) test orifice



| A/B (Orifice) | Orifice | Port | A | B | C | D | H |
|---------------|---------|--------|-------|-------|-------|------|-------|
| 1" | 1/2" | 1.024" | 5" | 2.76" | 5.16" | 4.5" | 1.65" |
| 1-1/4" | 1/2" | 1.024" | 5" | 2.76" | 5.16" | 4.5" | 1.65" |
| 2" | 1/2" | 1.575" | 6.57" | 3.5" | 6.34" | 5.8" | 2.28" |

| NO | PART | MATERIALS | NO | PART | MATERIALS |
|----|---------------|-----------|----|-----------------|-----------|
| 1 | BODY | C37700 | 11 | CAP | C37700 |
| 2 | BODY CAP | C37700 | 12 | SPRING | SST304 |
| 3 | SEAT | PTFE | 13 | STEEL BALL | SST304 |
| 4 | BALL | C37700 | 14 | INDICATOR PLATE | STEEL |
| 5 | STEM | C37700 | 15 | PLUG | C37700 |
| 6 | O-RING | NBR | 16 | WASHER | NBR |
| 7 | LEVER | STEEL | 17 | SIGHT GLASS | LEXAN |
| 8 | NUT | STEEL | 18 | RETAINING RING | C37700 |
| 9 | GLAND PACKING | PTFE | 19 | STOP SCREW | SST304 |
| 10 | GLAND | C37700 | | | |