

# BRASS GATE VALVE



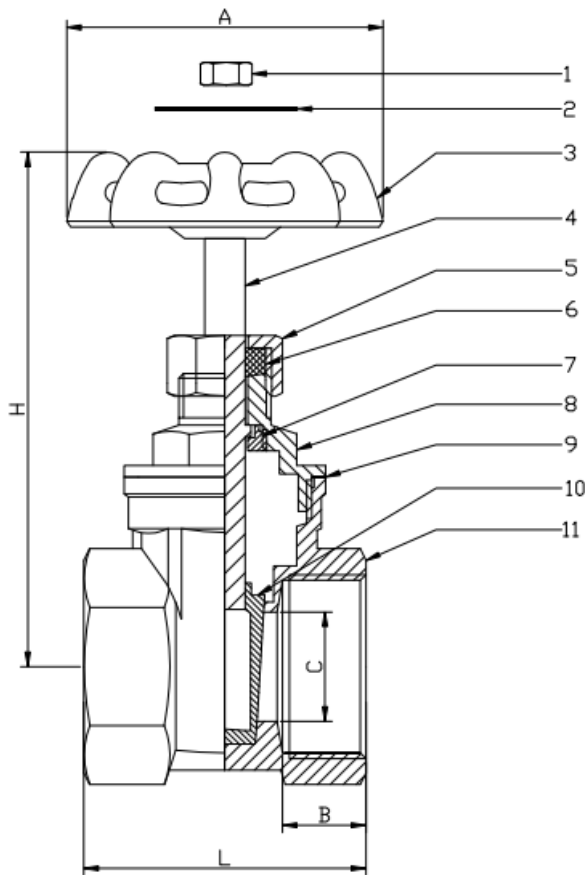
## Model#: JY-102

Brass gate valve

Forged brass body

Pressure: PN16

Size: 1/2" 3/4" 1" 1-1/4" 1-1/2" 2"



NO.	DESC.	MATERIAL
1	HEXAHON NUT	SS 201
2	NAMEPLATE	ALUMINUM
3	HANDWHEEL	ZL 102
4	STEM	Hpb57-3
5	COMPRESSION NUT	Hpb57-3
6	UPPER SEAL RING	PTFE
7	HEXAHON NUT	Hpb57-3
8	BONNET	Hpb57-3
9	LOWER SEAL RING	PTFE
10	WEDGE	Hpb57-3
11	BODY	Hpb57-3

DN	A	B	C	H	L	Weight(g)
1/2	55	12	14	70	41	245
3/4	55	13	15	72	43	290
1	60	14	19	83	48	410
1 1/4	70	14	27	105	59	710
1 1/2	70	15	35	115	60	860
2	80	18	45	130	67	1300