



ISO9001:2000

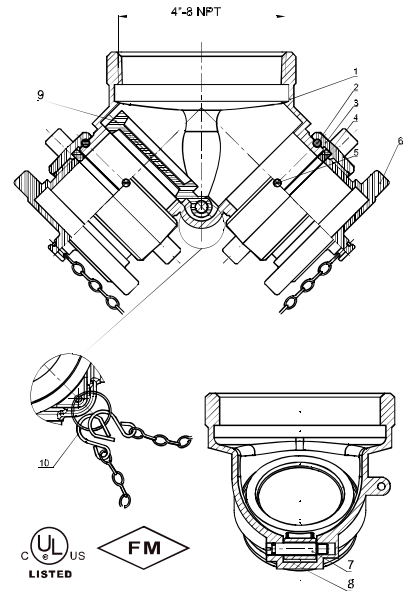
HOSE VALVE

FIRE PROTECTION PRODUCTS



HC-127-SET

Fire Department Connection
 Straight Body, with caps & chain and plate
 Rated to 300PSI
 Size: 4"x2-1/2"x2-1/2"
 UL listed and FM approval



NO	DESCRIPTION	MATERIALS	NO	DESCRIPTION	MATERIALS
1	BODY	C37700	8	O-RING	EPDM (A70±5)
2	BALL BEARING	SST304	9	CLAPPER	C37700
3	COUPLING	C37700	10	KEY-RING	SST304/Metal (copper coating)
4	WASHER	EPDM (A70±5)			
5	SCREW	C46500/SST304			
6	BRASS CAP+CHAIN	C37700+BRASS/Q235A (copper coating)			
7	HINGE PIN	C37700			