

Saddle clamps

FEATURES

Material: PP

To be installed on pipes confirming to:

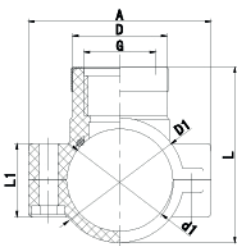
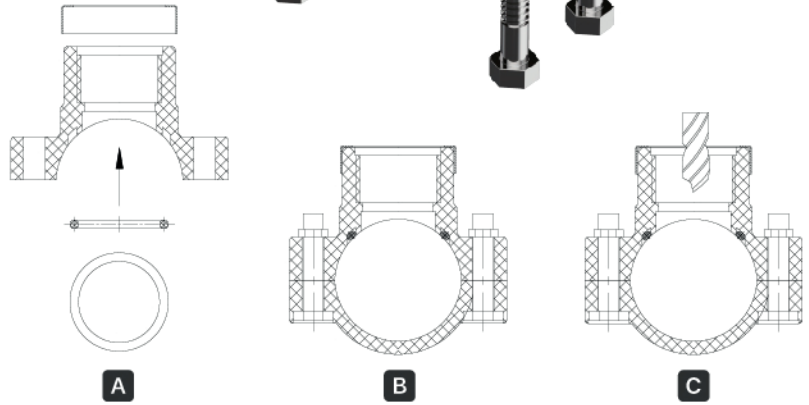
- | PE: EN 12201 / ISO 3607 / ISO 14236 / DIN 8072 / DIN 8074 / UNI 10910
- | PP: ISO 3609 / DIN 8077 / UNI 8318
- | PVC-U: EN 1452-2

Fig.	Parts	Material
1	Upper Body	PP
2	Lower Body	PP
3	Bolts and Nuts	Zinc Plated Steel
4	O-Ring	NBR
5	Reinforce Ring	Stainless Steel



ASSEMBLY

- A** Clean the external surface of the pipe. Be sure that the O-Ring is in its position.
- B** Couple the upper portion of the saddle with the lower one on the pipe. Insert the bolts, screw in the nuts and tighten the bolts diagonally opposite each other.
- C** Drill a hole in the pipe wall. Do not damage the O-Ring or the pipe near the seal zone. Use the right tools.



Nom Size	D	G	D1	d1	L1	L	A	Nom Size	D	G	D1	d1	L1	L	A
25X1/2"	31	1/2"	34	25	26	50	76	90X1 1/4"	53	1 1/4"	105	90	44	129	138
25X3/4"	37	3/4"	34	25	26	52	76	90X1 1/2"	61.6	1 1/2"	105	90	44	129	138
32X1/2"	31	1/2"	41	32	27	51	78	90X2"	74	2"	105	90	44	129	138
32X3/4"	37	3/4"	41	32	27	53	78	110X1/2"	31	1/2"	126.4	110	37.2	142	158
32X1"	44	1"	41	32	27	56	84	110X3/4"	37	3/4"	126.4	110	37.2	142.2	158
40X1/2"	37	1/2"	50	40	32	66	85	110X1"	44	1"	126.4	110	37.0	147.2	158
40X3/4"	37	3/4"	50	40	32	68.5	85	110X1 1/2"	61.6	1 1/2"	126.4	110	37.2	148.7	158
40X1"	44	1"	50	40	32	71.5	85	110X1 1/4"	53	1 1/4"	126.4	110	37.2	148.7	158
50X1/2"	44	1/2"	60	50	34	76	85	110X2"	73.4	2"	126.3	110	37.2	147.2	158
50X3/4"	44	3/4"	60	50	34	78	85.5	110X3"	104	3"	126.4	110	37.2	158.7	158
50X1"	44	1"	60	50	34	81.4	85.5	125x1/2"	31	1/2"	142.8	125	37.2	160.2	175
50X1 1/4"	53	1 1/4"	60	50	34	85	85.5	125x3/4"	37	3/4"	142.8	125	37.2	160.4	175
63X1/2"	31	1/2"	74.2	63	36	90.2	96	125x1"	44	1"	143	125	32.2	164	175
63X3/4"	37	3/4"	74.2	63	36	92.2	100	125x1 1/2"	62	1 1/2"	142.8	125	37.2	164.4	175
63X1"	44	1"	74.2	63	36	97.0	100	125x2"	74.5	2"	142.8	125	37.2	165.2	175
63X1 1/4"	53	1 1/4"	74.2	63	36	98.2	100	140x3/4"	37	3/4"	159.2	140	37.2	178.1	192
63X1 1/2"	1.6	1 1/2"	74.2	63	36	98.2	100	140x1 1/2"	65	1 1/2"	159.2	140	37.2	184.6	192
75X1/2"	31	1/2"	89	75	45	105	100	140x2"	74.5	2"	159.2	140	37.2	188.8	192
75X3/4"	37	3/4"	89	75	45	107	117.6	160X1/2"	31	1/2"	181	160	51	200.5	211
75X1"	44	1"	90.2	75	45	108	117.6	160X1"	44	1"	181	160	51	200.5	211
75X1 1/4"	53	1 1/4"	89	75	45	110.5	117.6	160X2"	73.4	2"	181	160	51	200.5	211
75X1 1/2"	61.6	1 1/2"	89	75	45	108	117.6	160X3"	104	3"	181	160	51	212	211
75X2"	74	2"	89	75	45	112.5	117.57	160X4"	133	4"	181	160	51	220	211
90X1/2"	31.2	1/2"	105	90	44	121	117.6	200X2"	73.4	2"	222.6	200	57.6	244.9	265
90X3/4"	37	3/4"	105	90	44	123	138	200X3"	104	3"	181	200	57.6	265.2	255.3
90X1"	44	1"	105	90	44	126	138	200X4"	133	4"	222.6	200	57.6	262.1	265.2