

## Air Release Valve

**FIG. 9701**

### Specifications

- Small orifice release air under pressure during normal pipeline operation.
- The float is connected to the vent via a linkage mechanism which is capable of operating the vent under full pipeline pressure.
- NPT thread.
  
- FM 1344 approved.

### Working Pressure and Temperature

- 300 psi rated at -10°C to 120°C.

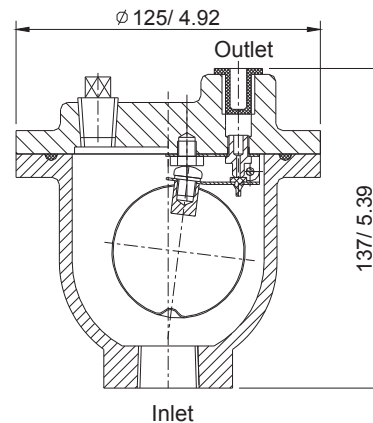
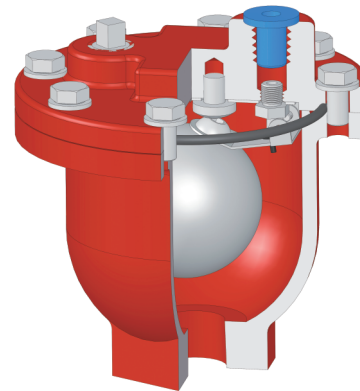
### Corrosion Protection

- Fusion bonded coating interior and exterior meet or exceed all applicable of AWWA C550 standard.

### Main Dimensions

Size	Inlet Size	Outlet Size	Orifice Size
1/2"	1/2" NPT	1/2" NPT	1/16" or 3/32"
3/4"	3/4" NPT	1/2" NPT	1/16" or 3/32"
1"	1" NPT	1/2" NPT	1/16" or 3/32"

### Schematic



### Material Specifications

Part	Material	EN Specification	ASTM Specification
Body	Ductile Iron	EN 1563, EN-GJS-450-10	A536 Grade 65-45-12
Cover	Ductile Iron	EN 1563, EN-GJS-450-10	A536 Grade 65-45-12
Lever Frame	Stainless Steel	EN 10088-3, X5CrNi18-10	A276 Type 304
Exhaust Nozzle	Stainless Steel	EN 10088-3, X5CrNi18-10	A276 Type 304
Exhaust Nozzle Seat	Rubber	EN 681, EPDM	D2000 EPDM
Float Ball	Stainless Steel	EN 10088-3, X5CrNi18-10	A276 Type 304
Ball Locator	Stainless Steel	EN 10088-3, X5CrNi18-10	A276 Type 304
Float Arm	Stainless Steel	EN 10088-3, X5CrNi18-10	A276 Type 304
Pivot Pin	Stainless Steel	EN 10088-3, X5CrNi18-10	A276 Type 304
Body/Cover Gasket	Rubber	EN 681, EPDM	D2000 EPDM

#### Notes

• Designs, materials and specifications shown are subject to change without notice due to the continuous development of our products.