



A101

A102

Description

Concealed auxiliary inlet connection with 500 GPM minimum inlet capacity to supplement Fire Protection water supply.

Cast brass two-way inlet body with double drop clappers; the A102 inlet connection body can serve as bottom or top feed by changing clappers.

Use

The Fire Department Concealed Connection is an important component in most sprinkler and standpipe systems.

When a sprinkler system activates, the fire department connects hose lines from a pumper truck to the fire department connection.

This connection allows the fire department to supplement the fire protection system in the event of a fire.

Versions and product codes

Series	Size	Type	Finishing
A101 BACK OUTLET	4" x 2 1/2"	Two hose threaded inlets (F) X NPT outlet (F)	Rough brass
	4" x 3"		
	6" x 2 1/2"		
A102 BOTTOM TOP OUTLET	4" x 2 1/2"	Two hose threaded inlets (F) X NPT outlet (F)	Rough brass
	4" x 3"		
	6" x 2 1/2"		

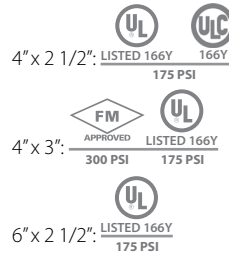
Technical data

- Maximum rated pressure: 300 PSI (20,6 bar)

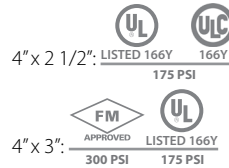
Materials

- Body: casted brass CuZn37Pb2Ni1AlFe-B in accordance with European Standard UNI EN1982-2000 CB753S, corresponding to American Standard ASTM B30 C85700
- Tensile strength of the material in the shape of bar: min. 300 MPa
- Stress for permanent distortion R(0.2): min. 150 MPa
- Elongation: min. 15 %

Approvals for A101



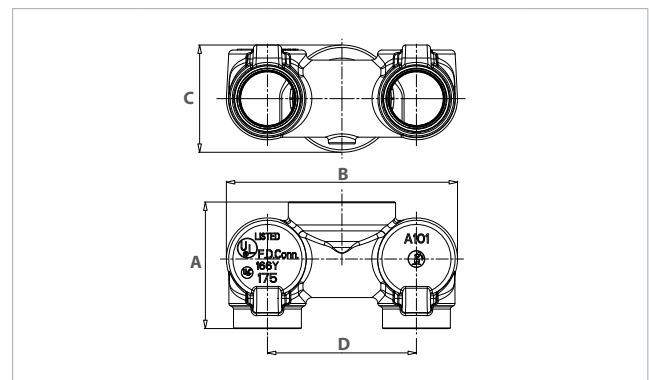
Approvals for A102



6" x 2 1/2": -

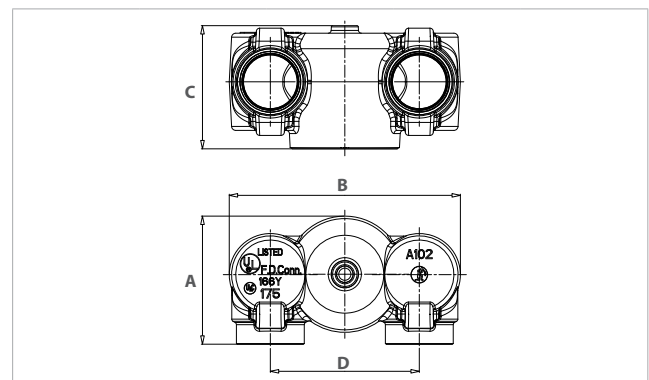
Dimensions

A101 – TWO HOSE THREAD INLETS (F) x NPT OUTLET (F) BACK



Size	A	B	C	D
4" x 2 1/2"	5 61/64"	10 55/64"	3 3/64"	7"
4" x 3"	6 31/64"	12 1/16"	5 19/64"	7 5/8"
6" x 2 1/2"	8 19/64"	11 31/64"	7 3/32"	7 5/8"

A102 – TWO HOSE THREAD INLETS (F) x NPT OUTLET (F) BOTTOM-TOP



Size	A	B	C	D
4" x 2 1/2"	6 1/64"	10 55/64"	5 25/32"	7"
4" x 3"	6 1/2"	12 1/16"	6 9/32"	7 5/8"
6" x 2 1/2"	8 39/64"	12 15/32"	6 21/64"	7 5/8"



Product specifications

A101 4" x 2 1/2"

Fire Department Inlet Connection, two f-way female inlet body with female outlet, back connection, double back clappers with main feature as following:

- Casted brass
- 4" female NPT outlet
- 2 1/2" female NPT inlets
- Minimum inlet capacity 500 GPM
- Rated pressure 175 psi
- UL ULC listed

A101 4" x 3"

Fire Department Inlet Connection, two f-way female inlet body with female outlet, back connection, double back clappers with main feature as following:

- Casted brass
- 4" female NPT outlet
- 3" female NPT inlets
- Minimum inlet capacity 500 GPM
- FM listed Rated pressure 300 psi
- UL listed Rated pressure 175 psi

A101 6" x 2 1/2"

Fire Department Inlet Connection, two f-way female inlet body with female outlet, back connection, double back clappers with main feature as following:

- Casted brass
- 4" female NPT outlet
- 2 1/2" female NPT inlets
- Minimum inlet capacity 500 GPM
- Rated pressure 175 psi
- UL listed

A102 4" x 2 1/2"

Fire Department Inlet Connection, two f-way female inlet body with female outlet, bottom-top connection, double back clappers with main feature as following:

- Casted brass
- 4" female NPT outlet
- 2 1/2" female NPT inlets
- Minimum inlet capacity 500 GPM
- Rated pressure 175 psi
- UL ULC listed

A102 4" x 3"

Fire Department Inlet Connection, two f-way female inlet body with female outlet, bottom-top connection, double back clappers with main feature as following:

- Casted brass
- 4" female NPT outlet
- 3" female NPT inlets
- Minimum inlet capacity 500 GPM
- FM listed Rated pressure 300 psi
- UL listed Rated pressure 175 psi

A102 6" x 2 1/2"

Fire Department Inlet Connection, two f-way female inlet body with female outlet, bottom-top connection, double back clappers with main feature as following:

- Casted brass
- 4" female NPT outlet
- 2 1/2" female NPT inlets
- Minimum inlet capacity 500 GPM
- Rated pressure 175 psi

Additional information

For additional information please check the website www.giacomini.com or contact the technical service: ☎ +39 0322 923372 📠 +39 0322 923255 ✉ consulenza.prodotti@giacomini.com
 This pamphlet is merely for information purposes. Giacomini S.p.A. retains the right to make modifications for technical or commercial reasons, without prior notice, to the items described in this pamphlet. The information described in this technical pamphlet does not exempt the user from following carefully the existing regulations and norms on good workmanship.
 Giacomini S.p.A. Via per Alzo, 39 - 28017 San Maurizio d'Opaglio (NO) Italy