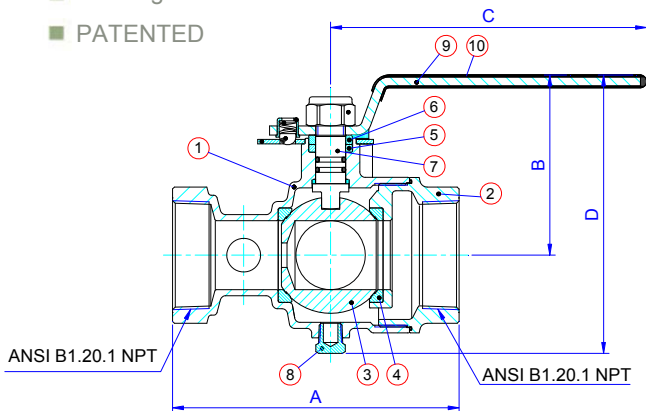


# YS-H61

## FIRE PROTECTION THREADED TEST AND DRAIN VALVE

- Working Pressure: 300 PSI/ CWP
- PATENTED



### DIMENSIONS (MM)

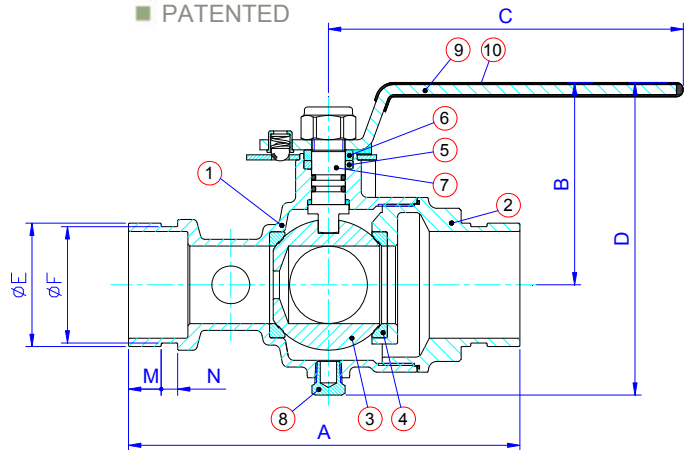
SIZE	A±2	B±2	C±2	D±3	k
1"	128.2	68.5	130.5	112	K7/16"/ K1/2"
1-1/4"	128.2	68.5	130.5	112	K7/16"/ K1/2"
1-1/2"	157.2	99.1	174	154	K7/16"/ K1/2"/ K3/4"/ K25
2"	157.2	99.1	174	154	K7/16"/ K1/2"/ K3/4"/ K25

- We reserve the right to modify the design /specifications without previous notice for better quality.
- 我方有權隨時變更設計/規格，以便提供品質優良的產品。

# YS-H62

## FIRE PROTECTION GROOVED TEST AND DRAIN VALVE

- Working Pressure: 300 PSI/ CWP
- Cut Groove Dimension To AWWA C606-06
- PATENTED



### MATERIAL LIST

NO.	PART NAME	MATERIAL ASTM	Q'TY
1	BODY	BRASS C85700	1
2	END PIECE	BRASS C85700	1
3	BALL	BRASS	1
4	SEAT	TFM	2
5	GLAND PACKING	TFM	1
6	GLAND	BRASS	1
7	STEM	BRASS	1
8	DRAIN PLUG	BRASS	1
9	LEVER	STEEL	1
10	LEVER GRIP	PVC VINYL	1

### DIMENSIONS (MM)

SIZE	A±2	B±2	C±2	D±3	φE	φF <sub>-0.38</sub>	M±0.76	N±0.76	k
1-1/4"	161.6	68.5	130.5	112	42.4±0.41	38.99	15.88	7.95	K7/16"/ K1/2"
1-1/2"	190.9	99.1	174	154	48.3±0.48	45.09	15.88	7.95	K7/16"/ K1/2"/ K3/4"/ K25
2"	190.9	99.1	174	154	60.3±0.61	57.15	15.88	7.95	K7/16"/ K1/2"/ K3/4"/ K25

- We reserve the right to modify the design /specifications without previous notice for better quality.
- 我方有權隨時變更設計/規格，以便提供品質優良的產品。