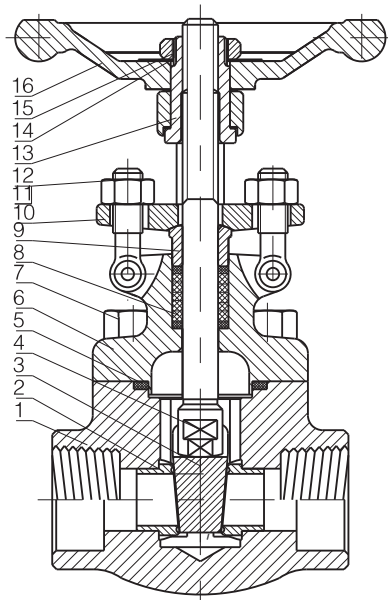


Forged Steel Gate Valve-S20



Applicable Standards

1. Design and Manufacture
API 602, BS5352, ASME B16.34
2. Connection end
Socket Weld End(SW): ASME B16.11
Threaded End(NPT): ASME B1.20.1
Butt-Weld End(BW): ASME B16.25
Flange End(RF/RTJ): ASME B16.5
3. Test & Inspection
API 602, API 598
4. Design Description
Bolted Bonnet(BB),
Welded Bonnet(WB),
Outside Screw and Yoke(OS&Y)
5. Main Materials:
A105, LF2, F5, F11, F22,
304(L), 316(L), F347, F321,
F51, Alloy 20, Monel

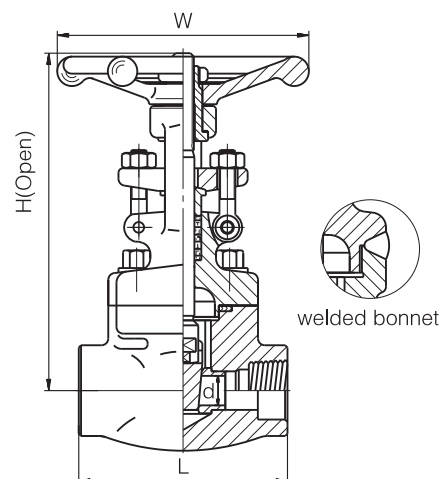
No.	PART	ASTM Material					
		A105	LF2	F11	F304(L)	F316(L)	F51
1	BODY	A105	LF2	F11	F304(L)	F316(L)	F51
2	SEAT	410	410	410+STL	304(L)	316(L)	F51
3	GATE	F6a	F6a	F6a+STL	F304(L)	F316(L)	F51
4	STEM	410	410	410	304(L)	316(L)	F51
5	GASKET	304 + Graphite			304+Graphite	316(L)+Graphite	316(L)+Graphite
6	BONNET	A105	LF2	F11	F304(L)	F316(L)	F51
7	BOLT	B7	L7	B16	B8(M)	B8(M)	B8M
8	PACKING	Flexible Graphite					
9	GLAND	A182 F6	LF2	F11	F304	F304	F304
10	GLAND FLANGE	A105	LF2	F11	F304	F304	F304
11	NUT	A194 2H			8		
12	EYEBOLT	A193 B7			B8		
13	STEM NUT	A276 410					
14	NAMEPLATE	AL					
15	LOCK NUT	AISI 1035					
16	HANDWHEEL	ASTM A197					

Different Trim are available upon request.

CL800

Bolted Bonnet/Welded Bonnet, Full Port/Reduced Port, Outside Screw and Yoke (OS&Y), Threaded, Butt Weld, Socket Weld. Design: API 602

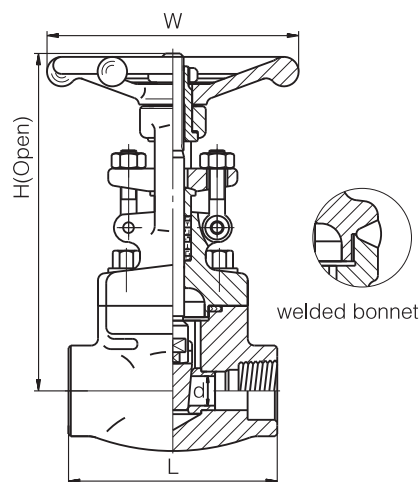
Size (NPS)	R.P	1/2	3/4	1	1.1/4	1.1/2	2	2. 1/2
	F.P	3/8	1/2	3/4	1	1.1/4	1.1/2	2
Face To Face	L	79	92	111	120	120	140	178
Handwheel Diameter	W	100	100	125	160	160	180	200
Height	H	161	163	196	223	251	290	333
Flow Port Diameter	d	10.3	13.5	18	23	29	36	45



CL900~1500

Bolted Bonnet/Welded Bonnet, Full Port/Reduced Port, Outside Screw and Yoke (OS&Y), Threaded, Butt Weld, Socket Weld. Design: API 602

Size (NPS)	R.P	1/2	3/4	1	1.1/4	1.1/2	2	2.1/2
	F.P	3/8	1/2	3/4	1	1.1/4	1.1/2	2
Face To Face	L	92	111	120	120	140	178	—
Handwheel Diameter	W	100	125	160	160	180	200	—
Height	H	191	191	219	243	296	316	—
Flow Port Diameter	d	10.5	13.5	18	23	29	36	—



CL2500

Welded Bonnet, Full Port/Reduced Port, Outside Screw and Yoke (OS&Y), Threaded, Butt Weld, Socket Weld. Design: ASME B16.34

Size (NPS)	R.P	3/8	1/2	3/4	1	1.1/4	1.1/2	2
Face To Face	L	111	120	120	120	140	—	—
Handwheel Diameter	W	125	125	125	125	250	—	—
Height	H	215	218	220	238	271	—	—
Flow Port Diameter	d	8	10.3	13.5	18	23	—	—

