

## Vertical Spring Check Valve (Metal Seated)–S16

Investment casting body

Pressure Rating: 1000 PSI

Working Temperature: -25 ~180°C

Medium: Water, Oil, Gas

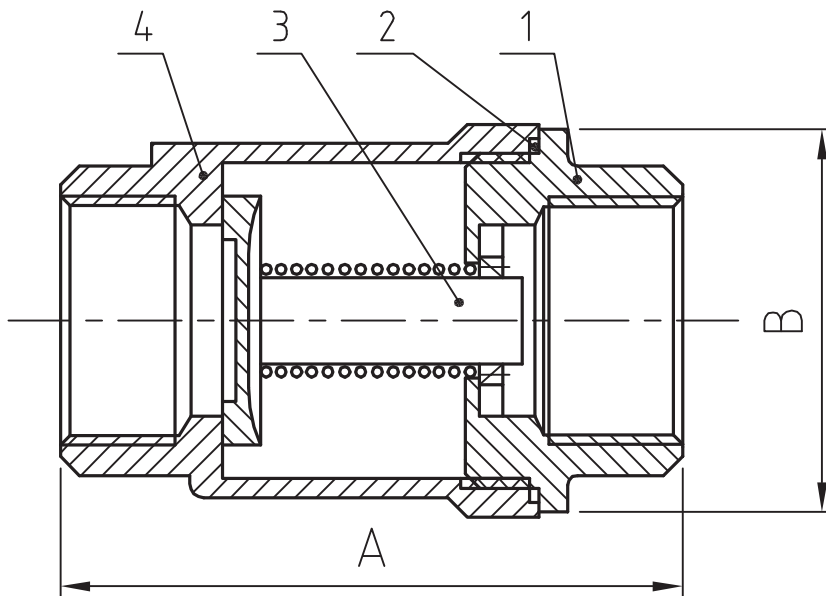
Material: 304, 316, 1.4308, 1.4408, CF8, CF8M

Thread: ASME B1.20.1 BS21.DIN2999/259, ISO228-1, JIS B 0203, ISO7/1



### Main Part Material

| No. | Name   | Material |
|-----|--------|----------|
| 1   | Cap    | SS316    |
| 2   | Gasket | PTFE     |
| 3   | Stem   | SS316    |
| 4   | Body   | SS316    |



### Dimension: (mm)

| DIZE | 1/2" | 3/4" | 1" | 1-1/4" | 1-1/2" | 2"  |
|------|------|------|----|--------|--------|-----|
| A    | 57   | 63   | 78 | 82     | 100    | 116 |
| B    | 34.5 | 41.5 | 48 | 60.5   | 71     | 87  |

SIO reserves the right to make any modifications without notice.